

STEP LABELER

NSL-100

High Performance and compact body dedicated liner-less labeler.



No more liners! Auto Labeler dedicated for the liner-less labels



No Wastage!

No liner, no wastage!

An environment-friendly labeler with the help of our liner-less labels contributes to the CO2 reduction and thus suitable for your eco-initiatives. Step Labeler is a compact labeler that does not require liner winding unit.



2x Productivity!

The liner-less labels can hold approximately twice the amount of labels than any conventional label with liner in the same winding diameter. As label winding volume doubles, frequency of replacing labels reduces to half which yields in high productivity and results in high efficiency.

Designed for Easy Operation



Easy set up!

- Feed the label tip and adhere it onto the conveyor belt.
- Turn on the switch on the labeler machine.
- Liner-less do not generate liner wastage.



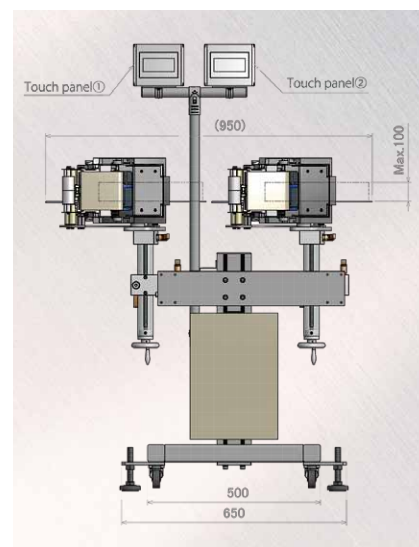
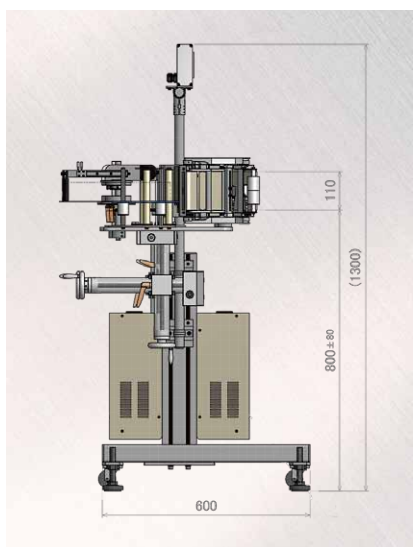
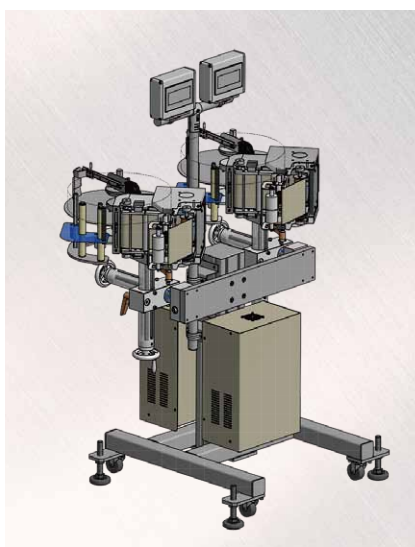
The operation panel provides various setting options. Up to 99 label patterns can be registered.

	Step Labeler NSL-100
Labels	Liner-less labels (step labels)
Pasting capability	80 pieces / minute (For the labels with 60 mm feed pitch)
Pasting accuracy (stopping accuracy)	±1mm
Speed of labeling conveyor	30m / minute (maximum)
Body size and weight	615mm (W) x 400mm (D) x 401mm (H) Approximately 12kg
Number of label winding sheets	Up to 300mm winding diameter (10,000 pieces for feed pitch 60mm labels)
Power supply / power consumption	AC100V±10% 50 / 60Hz±5% 200VA or below
Environmental condition	5-35 degree Celsius

High-speed Two-head Type

Non-stop production with the help of two heads.

Labeling speed: 160 pieces / minute (for feed pitch 60mm labels)



*Patent registration in progress